



XPASS B 330/1200

Anti-terrorist bollard

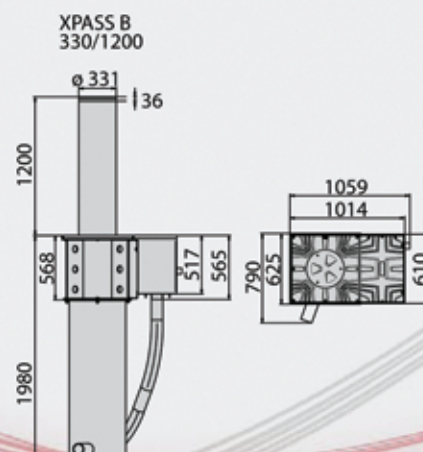
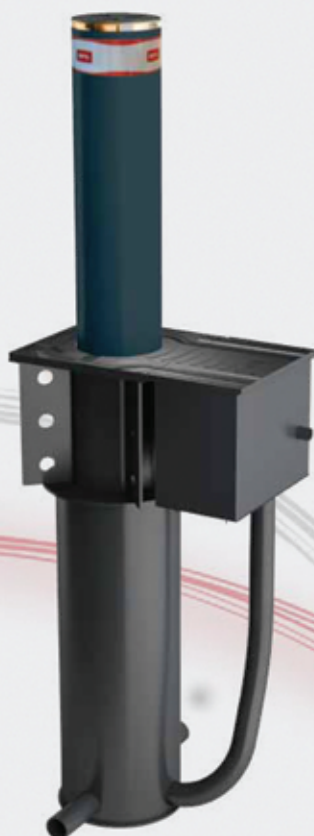
Anti-terrorist bollards tested and certified (crash-tested) by an independent body according to standards IWA14-1:2013 V/7200(N3C)/80/90 (formerly K12).

Anti-terrorist protection even with a single bollard.

Independent lateral hydraulic control unit for each bollard: in case of a control unit failure the other bollards remain functional and operations can continue.



Scan the QR code
and watch the
crash test video



SPECIFICATIONS

	XPASS B 330/1200C L	XPASS 330/1200C L ECD
Operator	hydraulic bollard	hydraulic bollard
Voltage	230 V	230 V
Shaft height	1200 mm	1200 mm
Thickness	25 mm	25 mm
Shaft diameter	330 mm	330 mm
Rising time	max 5.3 sec.	max 5.3 sec. (2.5 sec. for emergency)
Shaft treatment*	RAL 7015 painted steel and reflective film h: 100 mm	RAL 7015 painted steel and reflective film h: 100 mm
Lowering time	4 sec.	4 sec.
Control unit	PERSEO CBE 230.P SD	PERSEO CBE 230.P SD
Breaking resistance	2100000J	2100000J
Frequency of use	2000 Op/day	2000 Op/day
Antiterrorism reference standard	IWA14-1:2013 V/7200(N3C)/80/90	IWA14-1:2013 V/7200(N3C)/80/90
Type of limit switch	reed magnetic sensor reversible with mechanical key with no power	reed magnetic sensor reversible with mechanical key with no power
Manual operation		
Ambient conditions	-40°C +60°C	-40°C +60°C

*if the code contains LI: LI= AISI 304 or AISI 316 stainless steel on request