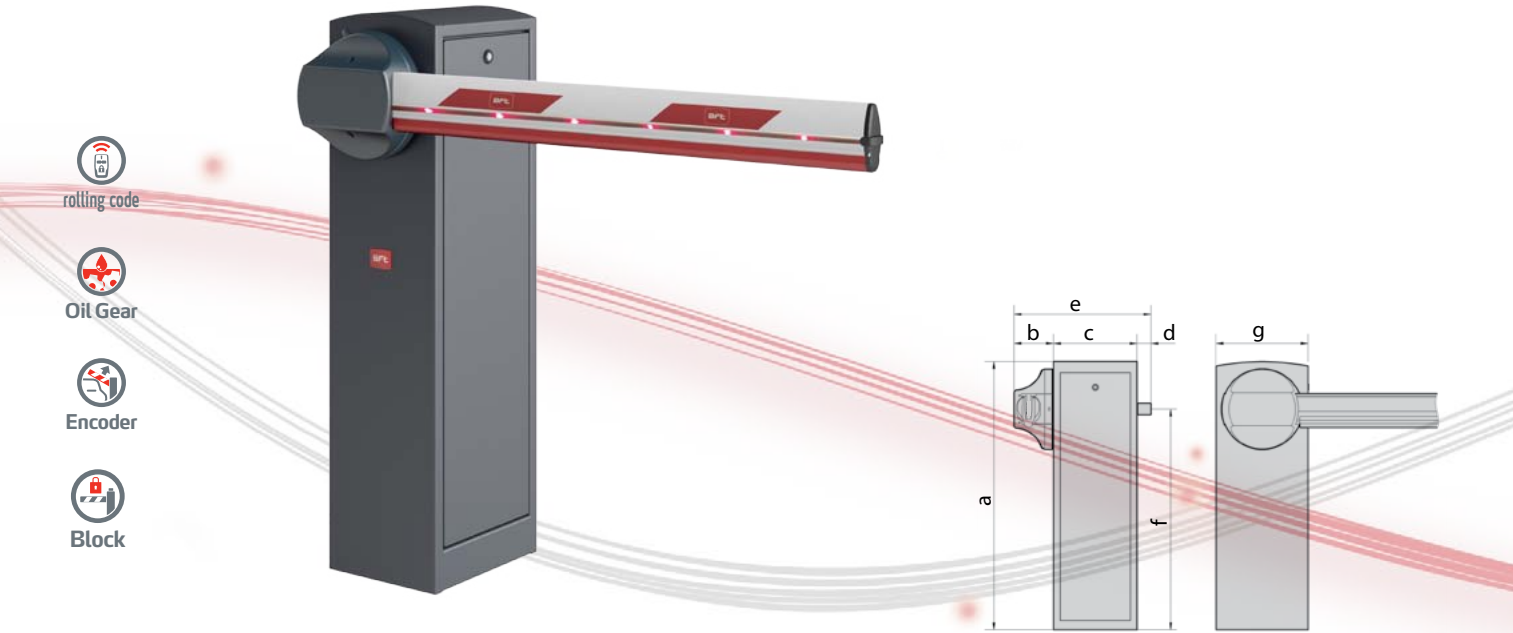


MAXIMA

Electromechanical barrier for very intensive use.

- Range of professional 230 Vac electromechanical barriers for intensive use, designed and developed to operate in a wide variety of operating conditions, such as large car parks, motorway toll-gates, industrial installations. Mechanical movement with connecting rod-crank mechanism ensuring smooth movement of the boom, while managing slowdown in opening and closing. The same mechanism can ensure high anti-vandal protection for the gearmotor.



rolling code



Oil Gear



Encoder



Block

FEATURES

- Very intensive use
- Gearmotor in oil bath
- Anti-vandal connecting rod-crank mechanism

DIMENSIONS

MODEL	a	b	c	d	e	f	g
MAXIMA 30	1110	120	320	40	480	950	280
MAXIMA 60	1155	170	360	60	590	950	400
MAXIMA 80	1155	170	360	60	590	950	400

SPECIFICATIONS

	MAXIMA 30	MAXIMA 60	MAXIMA 80
Useful passage	1.7 m to 3 m	4 to 6 m	6 to 8 m
Control unit	CSB-BR	CSB-BR	CSB-BR
Power supply	Single-phase 230 V	Single-phase 230 V	Single-phase 230 V
Opening or closing	1.7 sec.	9 sec.	9 sec.
Frequency of use	10,000 Op/day	2,000 Op/day	2,000 Op/day
MCBF (Mean Cycles Between Failure)	5,000,000 Op	2,000,000 Op	2,000,000 Op
Slowdown	in opening and closing	in opening and closing	in opening and closing
Impact reaction	encoder	encoder	encoder
Lock	mechanical	mechanical	mechanical
Release	inside the structure	inside the structure	inside the structure
Ambient conditions	-30°C +60°C	-30°C +60°C	-30°C +60°C
Protection rating	IP54	IP54	IP54